

Form to complete and return by mail to contact@palamatic.fr or by fax to **+33 (0)2 99 86 08 10**

To make sure your data is taken into account, please save the document on your desktop before filling it in.

Company	Date		
Contact name	Project ref.		
Position	Phone		
Address	Fax		
City	E-mail		
Country			
Sector of activity	Food & Feed	Chemical industry	Fine chemical industry
	Building industry	Water treatment	Other

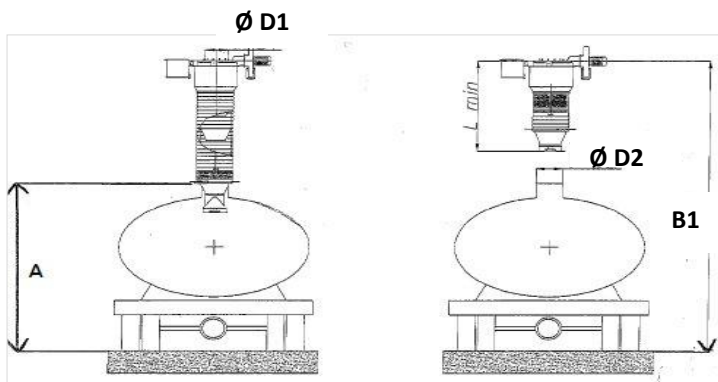
PROCESS REQUIREMENTS - If possible, send us a sketch of the required installation.

Tanker

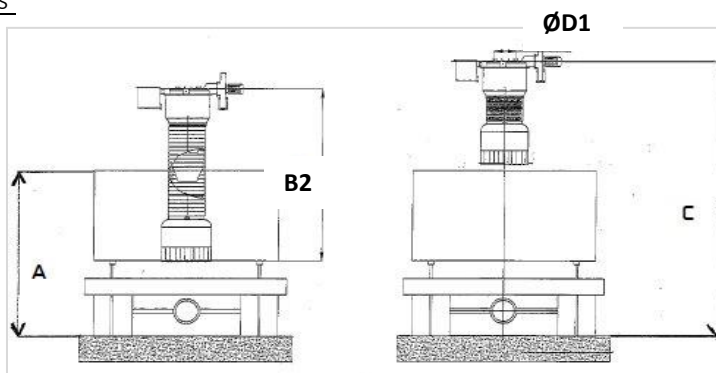
Dump truck

System implementation	Indoor	Outdoor
Operating temperature	-20°/+40°	Other
Height available in mm.		
Hoist	Electrical	Manual
Internal cone	yes	no
Dedusting equipment integrated	yes	no

Tanker dimensions



Dump truck dimensions



Parts in contact with the product Mild steel AISI 304L AISI 316L Other

Other parts Mild steel AISI 304L AISI 316L Other

Atex yes* no Temperature

Zone 20 21 22 0 1 2

*If Atex zone, please send the corresponding questionnaire.

PRODUCTS CHARACTERISTICS

	Product 1		Product 2		Product 3		Product 4	
Designation								
Apparent density kg/m ³								
True density kg/m ³								
Maximum granulometry μm								
Main granulometry μm								
Angle of repose °								
Moisture content %								
Product temperature °C								
Abrasive	yes	no	yes	no	yes	no	yes	no
Toxic	yes	no	yes	no	yes	no	yes	no
Arching	yes	no	yes	no	yes	no	yes	no
Sticky	yes	no	yes	no	yes	no	yes	no
Food product	yes	no	yes	no	yes	no	yes	no
Special characteristics*	yes	no	yes	no	yes	no	yes	no

* If yes, please forward us the Material Safety Data Sheet.

It is very important to give us the maximum information on the products to be treated ; please send us the MSDS or inform us of the danger level/toxicity of the product.

Note: This data is important data for the validation of the adapted system.