

1 2 3 4 5 6 7 8

A  
B  
C  
D  
E  
F

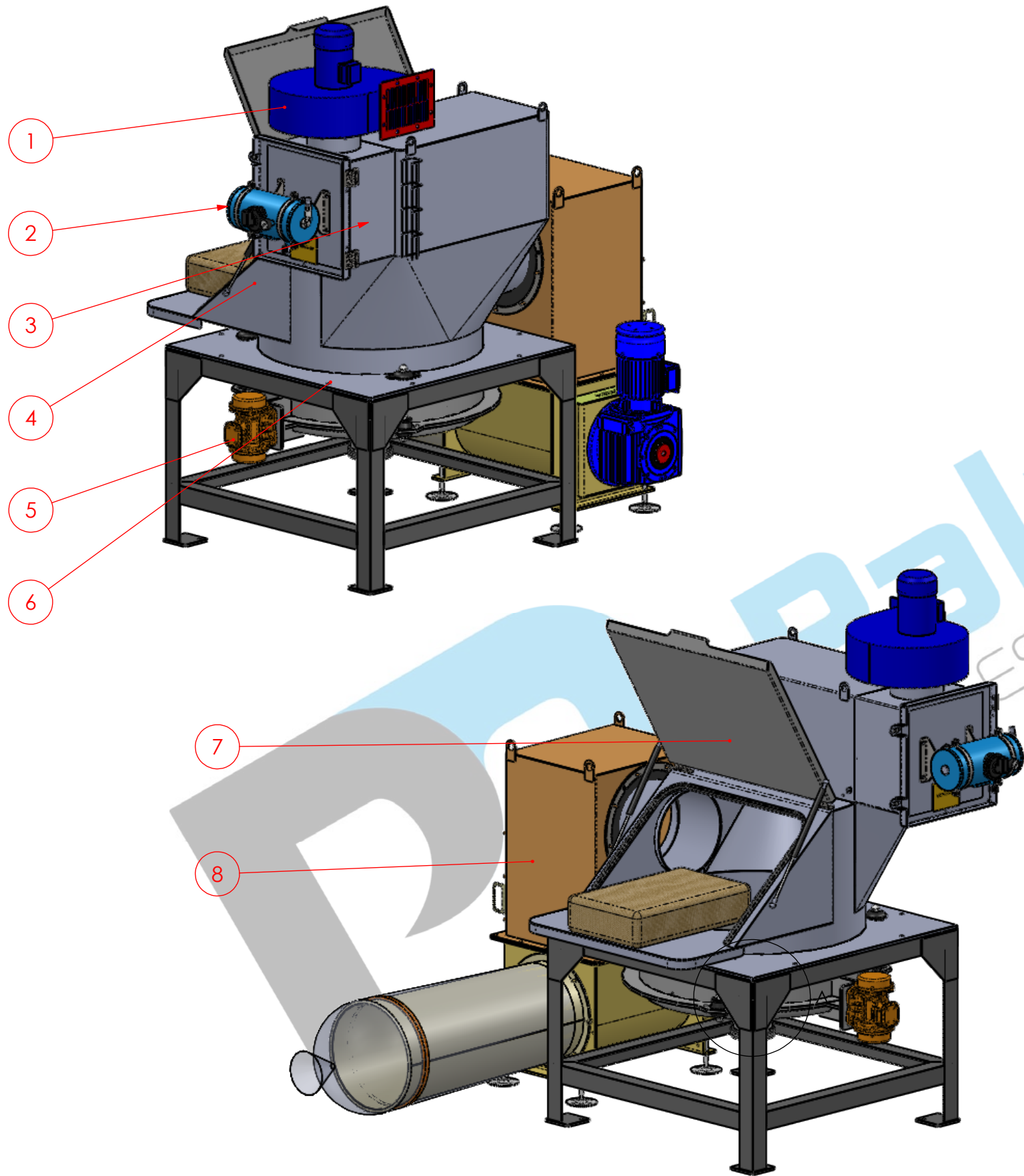
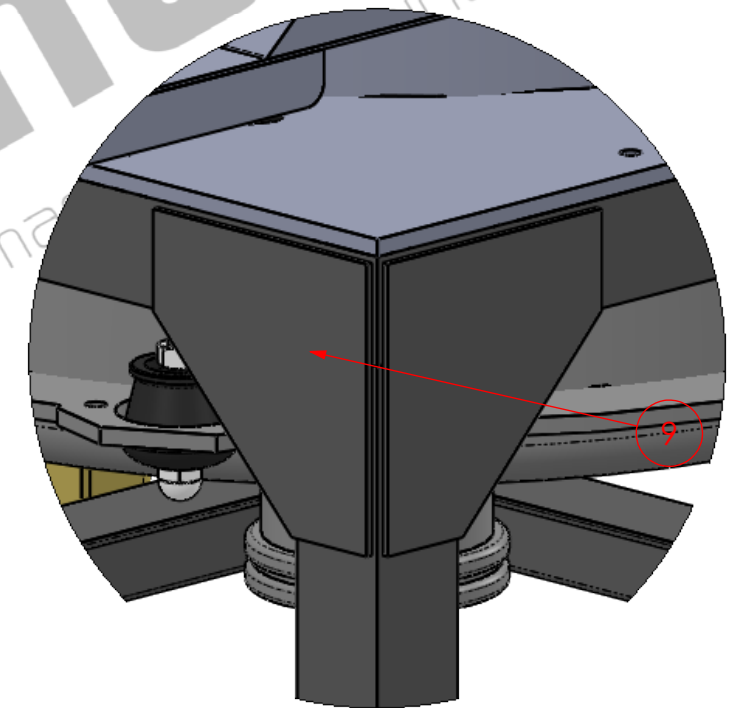


Table de nomenclature			
REP.	DESIGNATION (FR)	DESIGNATION (ENGLISH)	
1	VENTILATEUR DU DEPOUSSIERAGE	DUST COLLECTOR FAN	1
2	BOMBONNE DE DECOLMATAGE	UNCLOGGING DEVICE	1
3	CARTOUCHE FILTRANTE	FILTERING CARTRIDGE	1
4	CORPS VIDE SAC	SACKTIP BODY	1
5	VIBRATEUR ELECTRIQUE	ELECTRIC VIBRATOR	1
6	TAMIS VIBRANT	VIBRATORY SIEVE	1
7	PORTE VIDE SAC	SACKTIP DOOR	1
8	COMPACTEUR DE SAC	SACK COMPACTOR	1
9	GRILLE DE TAMISAGE	VIBRATING SIEVE GRID	1

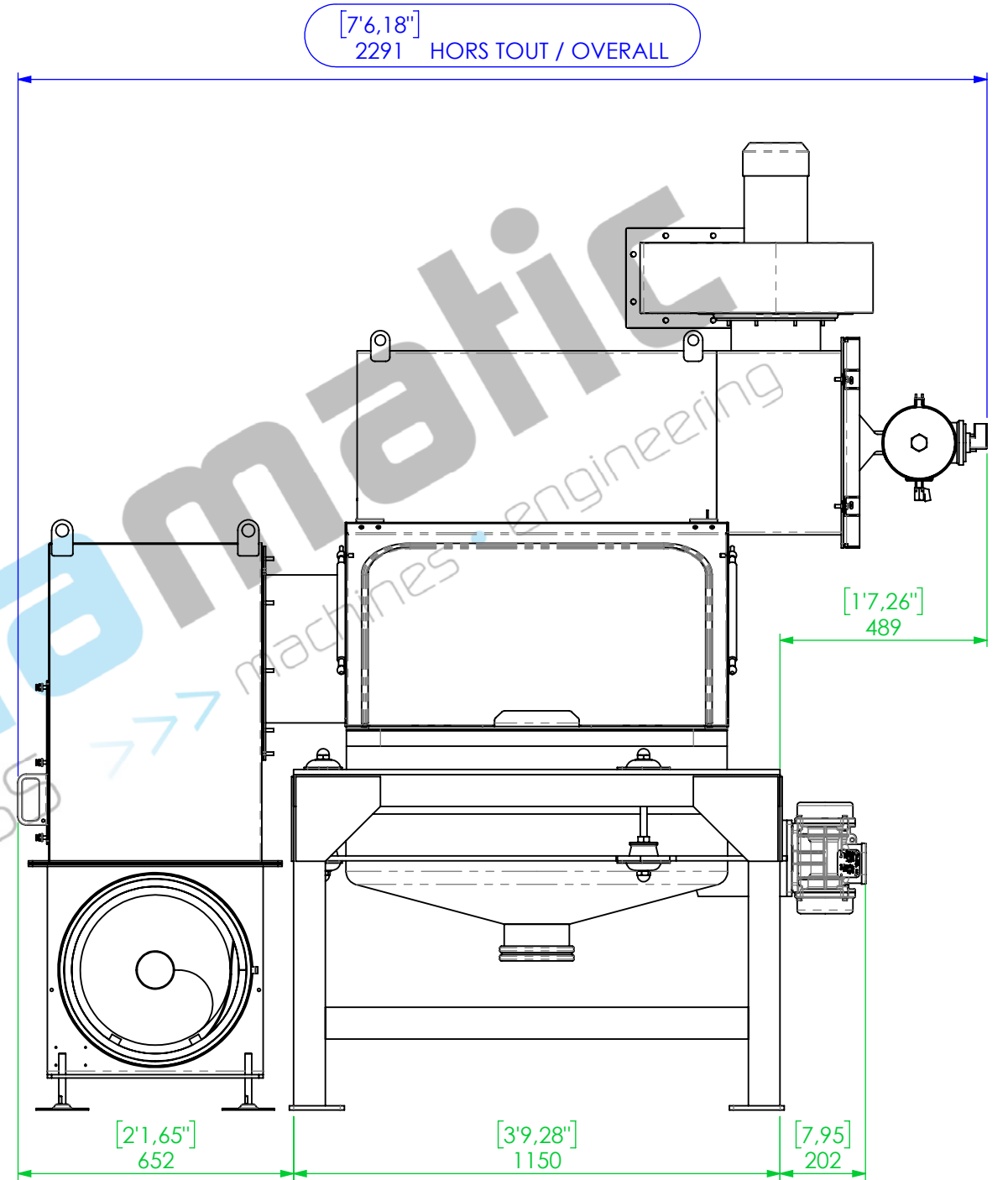
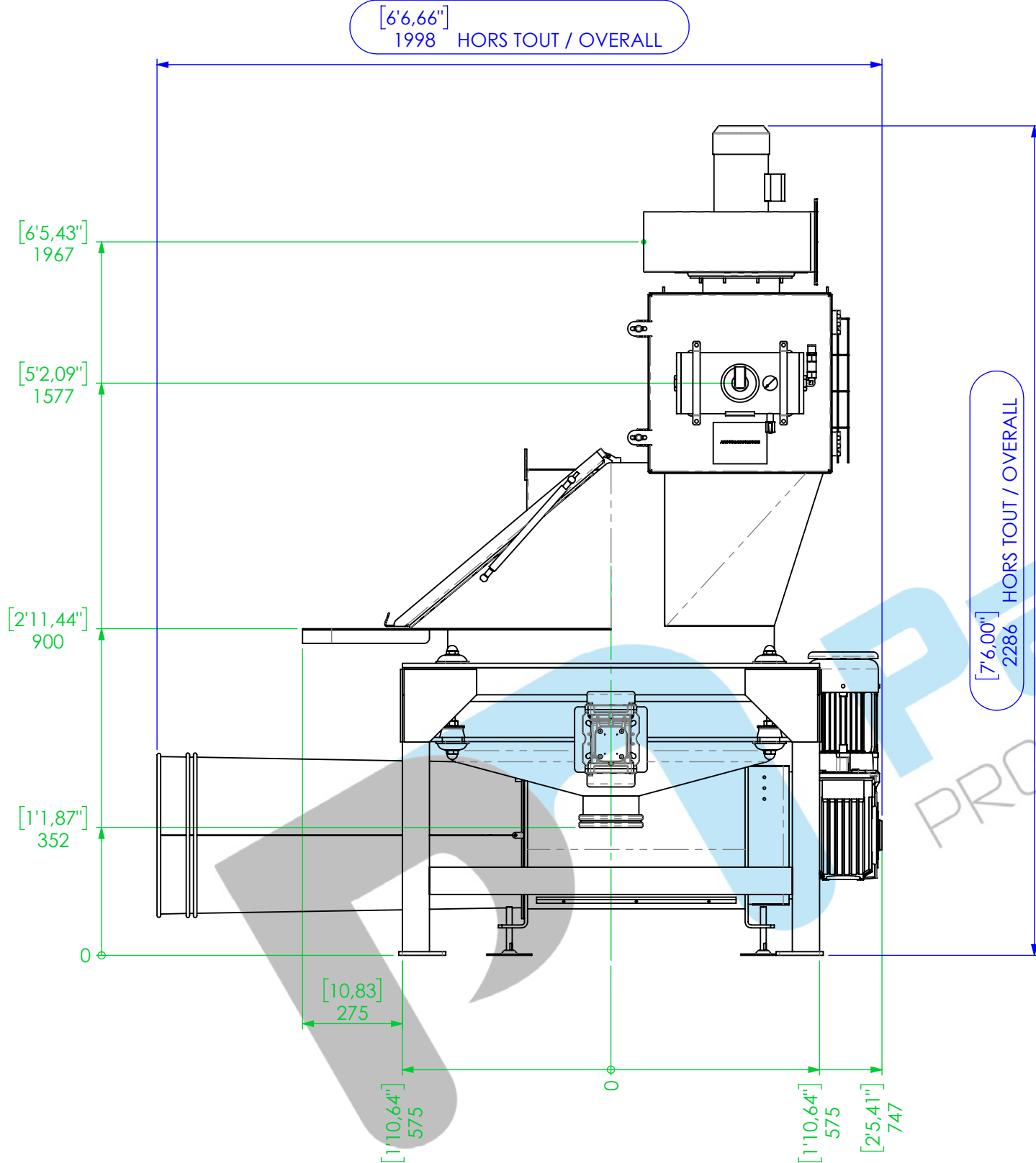


DÉTAIL A  
ECHELLE 1:5

DIMENSION : [inch] mm		PLAN D'INFORMATION / INFORMATION DRAWING	
<p>PALAMATIC N'AYANT PAS EN CHARGE LE GENIE CIVIL, IL EST DE VOTRE RESPONSABILITE DE VOUS ASSURER DE LA RESISTANCE, DE LA STABILITE ET DE LA PLANEITE DE VOS SUPPORT OU SOLS RECEVANTS NOS EQUIPEMENTS, AUX DIFFERENTS EFFORTS ET CONTRAINTES AUQUELS ILS POURAIENT ETRE SOUMIS.</p> <p>CIVIL ENGINEERING WORKS ARE NOT INCLUDED IN PALAMATIC'S SCOPE OF SUPPLY. IT IS THE CLIENT'S RESPONSIBILITY TO ENSURE THE STABILITY, RESISTANCE AND FLATNESS OF THE STRUCTURES AND TERRAIN ON WHICH, PALAMATIC'S EQUIPMENT WILL BE MOUNTED. THESE STRUCTURES AND TERRAIN MUST BE ABLE TO WITHSTAND THE DIFFERENT LOADS AND CONSTRAINTS BROUGHT ON BY THESE EQUIPMENTS</p>		<p><b>CE PLAN EST LA PROPRIETE DE LA SOCIETE PALAMATIC - IL NE PEUT ÊTRE COPIÉ OU UTILISÉ SANS AUTORISATION</b></p> <p><b>THIS DRAWING IS THE PROPERTY OF THE COMPANY PALAMATIC - IT CANNOT BE COPIED OR USED WITHOUT AUTHORIZATION</b></p>	
<p>Rue de l'Écolais Z.A. de la Croix Rouge 35530 BRECE</p>		<p>02 90 56 20 61 CYRIL.PICHARD@PALAMATIC.FR</p>	
<p>Designation / Name : VIDE SAC HYGIENIQUE DEPOUSS</p>		<p>Dessiné par / Drawn by : PICHARD</p>	
<p>Description : SACKTIP SHCOMP800</p>		<p>Ref. Dossier / Project reference:</p>	
25-03-19	A	DIFFUSION	CYP
DATE	REV	OBSERVATION	REVISER / REVISER
<p>Format / Echelle / Scale : A3 1:20</p>		<p>N° Plan / Drawing number: REV: A 1/3</p>	

1 2 3 4 5 6 7 8

**SACKTIP FERME / CLOSED**



DIMENSION : [inch] / mm PLAN D'INFORMATION / INFORMATION DRAWING

PALAMATIC N'AYANT PAS EN CHARGE LE GENIE CIVIL, IL EST DE VOTRE RESPONSABILITE DE VOUS ASSURER DE LA RESISTANCE, DE LA STABILITE ET DE LA PLANEITE DE VOS SUPPORT OU SOLS RECEVANTS NOS EQUIPEMENTS, AUX DIFFERENTS EFFORTS ET CONTRAINTES AUQUELS ILS POURAIENT ETRE SOUMIS.

CIVIL ENGINEERING WORKS ARE NOT INCLUDED IN PALAMATIC'S SCOPE OF SUPPLY. IT IS THE CLIENT'S RESPONSIBILITY TO ENSURE THE STABILITY, RESISTANCE AND FLATNESS OF THE STRUCTURES AND TERRAIN ON WHICH, PALAMATIC'S EQUIPMENT WILL BE MOUNTED. THESE STRUCTURES AND TERRAIN MUST BE ABLE TO WITHSTAND THE DIFFERENT LOADS AND CONSTRAINTS BROUGHT ON BY THESE EQUIPMENTS

CE PLAN EST LA PROPRIETE DE LA SOCIETE PALAMATIC - IL NE PEUT ETRE COPIE OU UTILISE SANS AUTORISATION

THIS DRAWING IS THE PROPERTY OF THE COMPANY PALAMATIC - IT CANNOT BE COPIED OR USED WITHOUT AUTHORIZATION

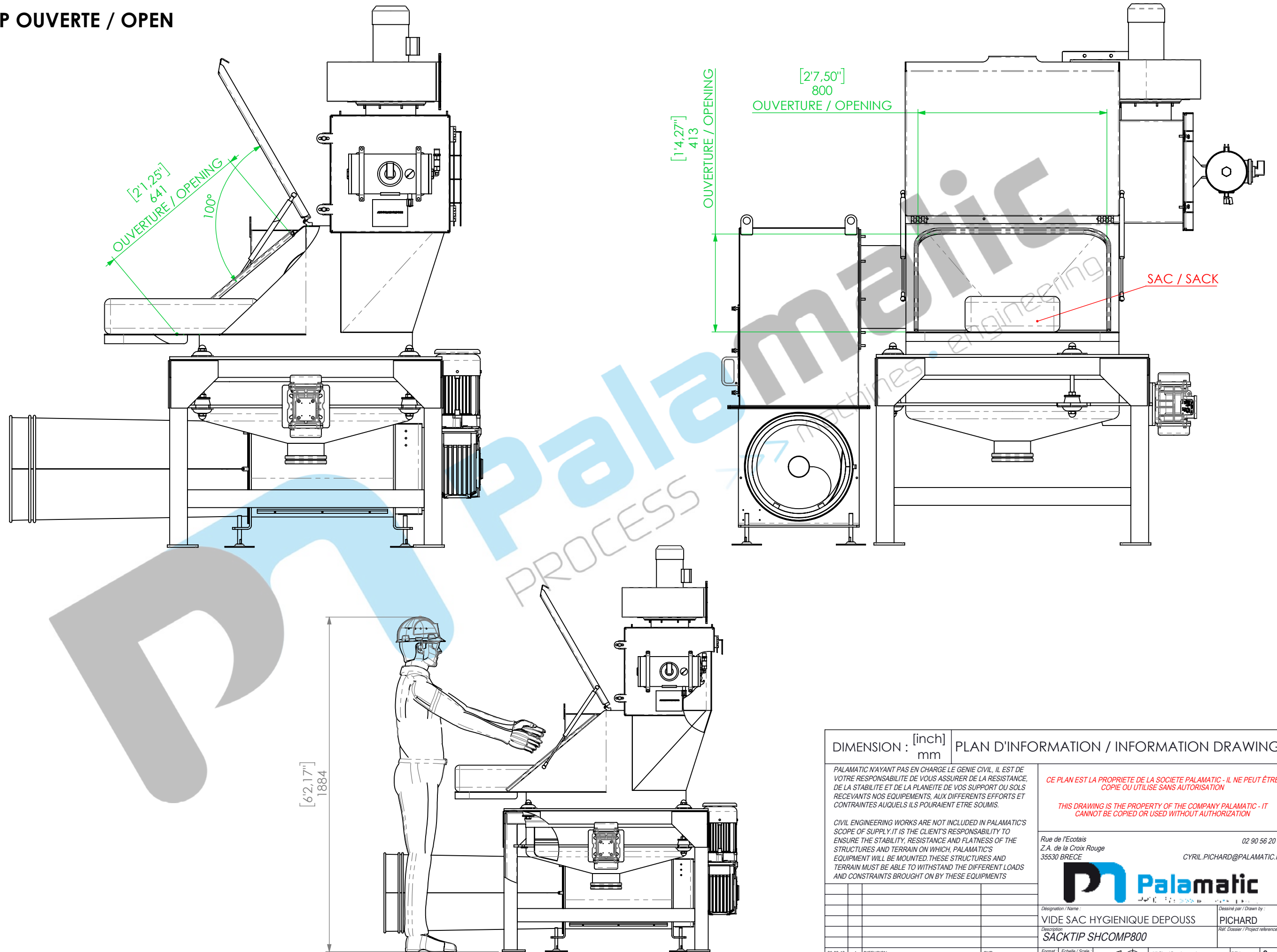
Rue de l'Écolais 02 90 56 20 61  
Z.A. de la Croix Rouge 35530 BRECE  
CYRIL.PICHARD@PALAMATIC.FR



Designation / Name : VIDE SAC HYGIENIQUE DEPOUSS Description : SACKTIP SHCOMP800  
Dessiné par / Drawn by : PICHARD Ref. Dossier / Project reference:

25-03-19	A	DIFFUSION	CYP	Format / Echelle / Scale : A3 1:15	N° Plan / Drawing number :	REV: A 2 3
DATE	REV	OBSERVATION	REVISER / REVISER			

**SACKTIP OUVERTE / OPEN**



DIMENSION : [inch] mm		PLAN D'INFORMATION / INFORMATION DRAWING	
<p>PALAMATIC N'AYANT PAS EN CHARGE LE GENIE CIVIL, IL EST DE VOTRE RESPONSABILITE DE VOUS ASSURER DE LA RESISTANCE, DE LA STABILITE ET DE LA PLANEITE DE VOS SUPPORT OU SOLS RECEVANTS NOS EQUIPEMENTS, AUX DIFFERENTS EFFORTS ET CONTRAINTES AUQUELS ILS POURAIENT ETRE SOUMIS.</p> <p>CIVIL ENGINEERING WORKS ARE NOT INCLUDED IN PALAMATIC'S SCOPE OF SUPPLY. IT IS THE CLIENT'S RESPONSIBILITY TO ENSURE THE STABILITY, RESISTANCE AND FLATNESS OF THE STRUCTURES AND TERRAIN ON WHICH, PALAMATIC'S EQUIPMENT WILL BE MOUNTED. THESE STRUCTURES AND TERRAIN MUST BE ABLE TO WITHSTAND THE DIFFERENT LOADS AND CONSTRAINTS BROUGHT ON BY THESE EQUIPMENTS</p>		<p>CE PLAN EST LA PROPRIETE DE LA SOCIETE PALAMATIC - IL NE PEUT ÊTRE COPIE OU UTILISE SANS AUTORISATION</p> <p>THIS DRAWING IS THE PROPERTY OF THE COMPANY PALAMATIC - IT CANNOT BE COPIED OR USED WITHOUT AUTHORIZATION</p>	
<p>Rue de l'Écolais Z.A. de la Croix Rouge 35530 BRECE</p>		<p>02 90 56 20 61 CYRIL.PICHARD@PALAMATIC.FR</p>	
<p>Designation / Name : VIDE SAC HYGIENIQUE DEPOUSS</p>		<p>Designé par / Drawn by : PICHARD</p>	
<p>Description : SACKTIP SHCOMP800</p>		<p>Ref. Dossier / Project reference:</p>	
25-03-19	A	DIFFUSION	CYP
DATE	REV	OBSERVATION	REVISER / REVISER
Format : A3		Echelle / Scale : 1:15	
N° Plan / Drawing number :		REV: A 3 / 3	