

Table de nomenclature			
REP.	DESIGNATION (FR)	DESIGNATION (ENGLISH)	QTE
1	SAUTERELLE A CROCHET	CLAMP LEVER	2
2	PORTE VIDE SAC	SACKTIP DOOR	1
3	CORPS VIDE SAC	SACKTIP BODY	1
4	FILTRE REGULATEUR PNEUMATIQUE	PNEUMATIC REGULATOR FILTER	1
5	SONDE DE NIVEAU	LEVEL PROBE	1
6	COMPACTEUR DE SAC	SACK COMPACTOR	1
7	TABLETTE	TRAY	1
8	VIBREUR PNEUMATIQUE	PNEUMATIC VIBRATOR	2
9	VANNE DE VIDANGE PRODUIT	OUTLET PRODUCT VALVE	1

DIMENSION : [inch] / mm PLAN D'INFORMATION / INFORMATION DRAWING

PALAMATIC N'AYANT PAS EN CHARGE LE GENIE CIVIL, IL EST DE VOTRE RESPONSABILITE DE VOUS ASSURER DE LA RESISTANCE, DE LA STABILITE ET DE LA PLANEITE DE VOS SUPPORT OU SOLS RECEVANTS NOS EQUIPEMENTS, AUX DIFFERENTS EFFORTS ET CONTRAINTES AUQUELS ILS POURAIENT ETRE SOUMIS.

CIVIL ENGINEERING WORKS ARE NOT INCLUDED IN PALAMATIC'S SCOPE OF SUPPLY. IT IS THE CLIENT'S RESPONSIBILITY TO ENSURE THE STABILITY, RESISTANCE AND FLATNESS OF THE STRUCTURES AND TERRAIN ON WHICH, PALAMATIC'S EQUIPMENT WILL BE MOUNTED. THESE STRUCTURES AND TERRAIN MUST BE ABLE TO WITHSTAND THE DIFFERENT LOADS AND CONSTRAINTS BROUGHT ON BY THESE EQUIPMENTS

CE PLAN EST LA PROPRIETE DE LA SOCIETE PALAMATIC - IL NE PEUT ETRE COPIE OU UTILISE SANS AUTORISATION

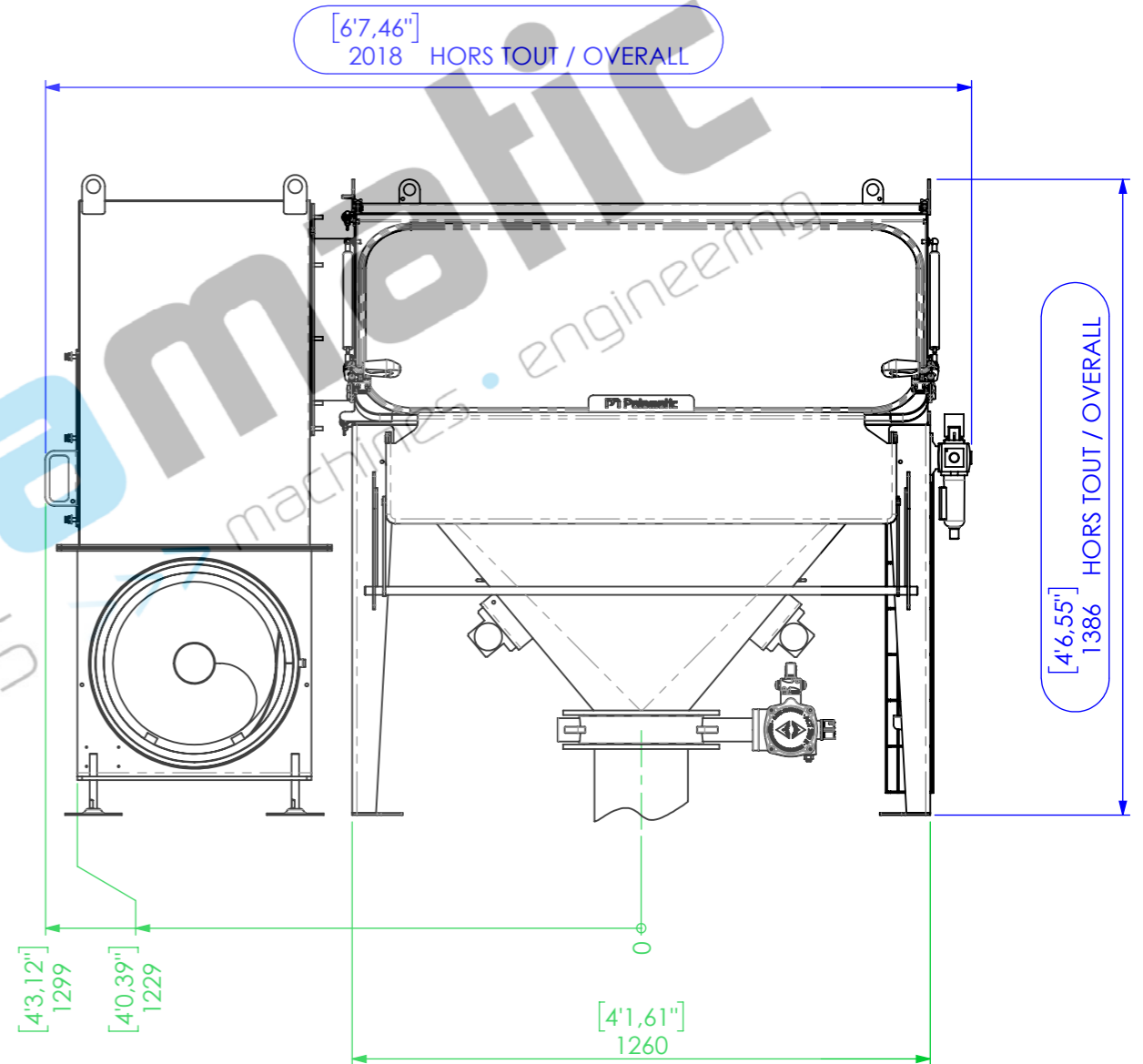
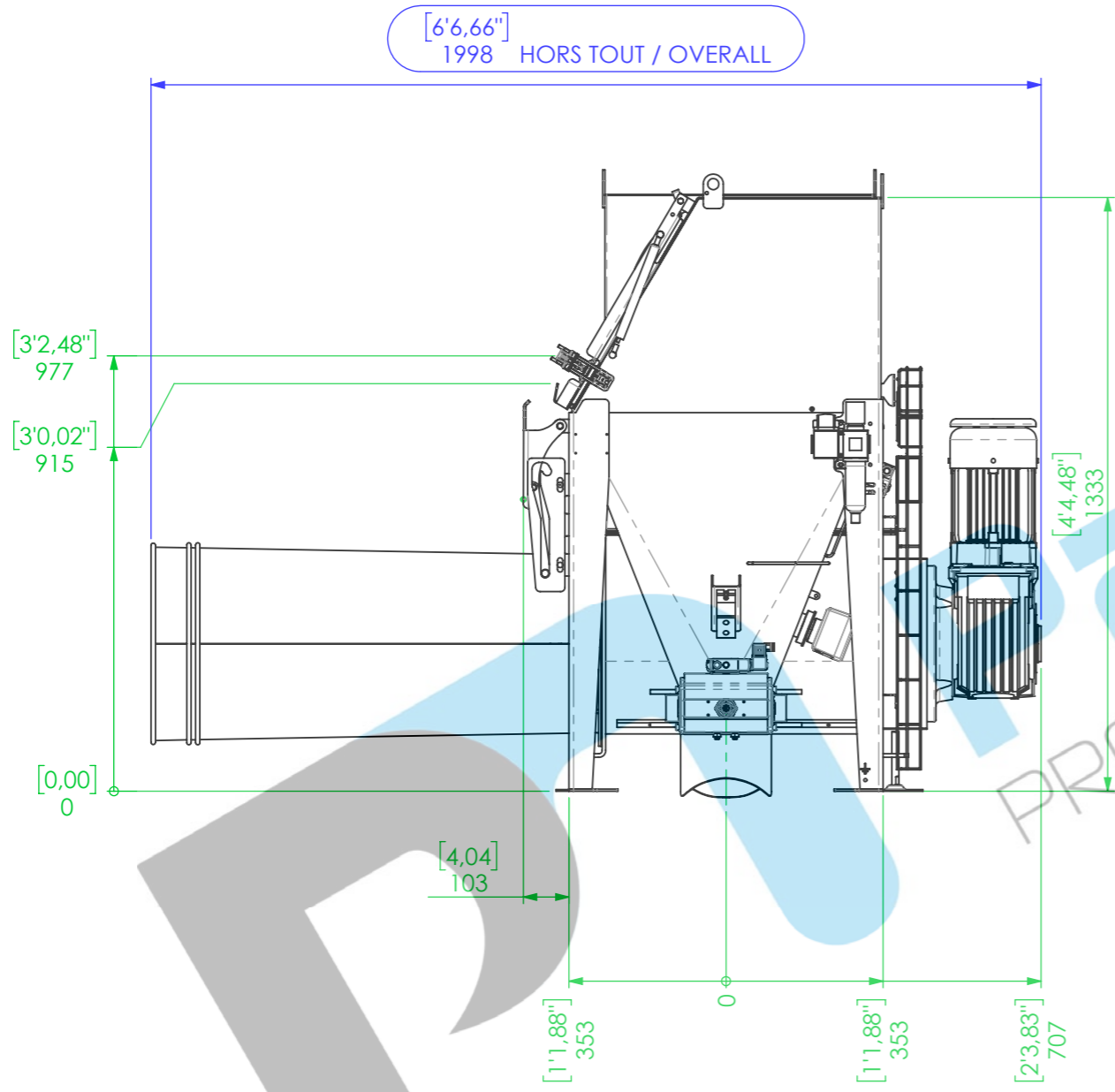
THIS DRAWING IS THE PROPERTY OF THE COMPANY PALAMATIC - IT CANNOT BE COPIED OR USED WITHOUT AUTHORIZATION

Rue de l'Ecotais 02 90 56 20 61  
Z.A. de la Croix Rouge  
35530 BRECE  
CYRIL.PICHARD@PALAMATIC.FR



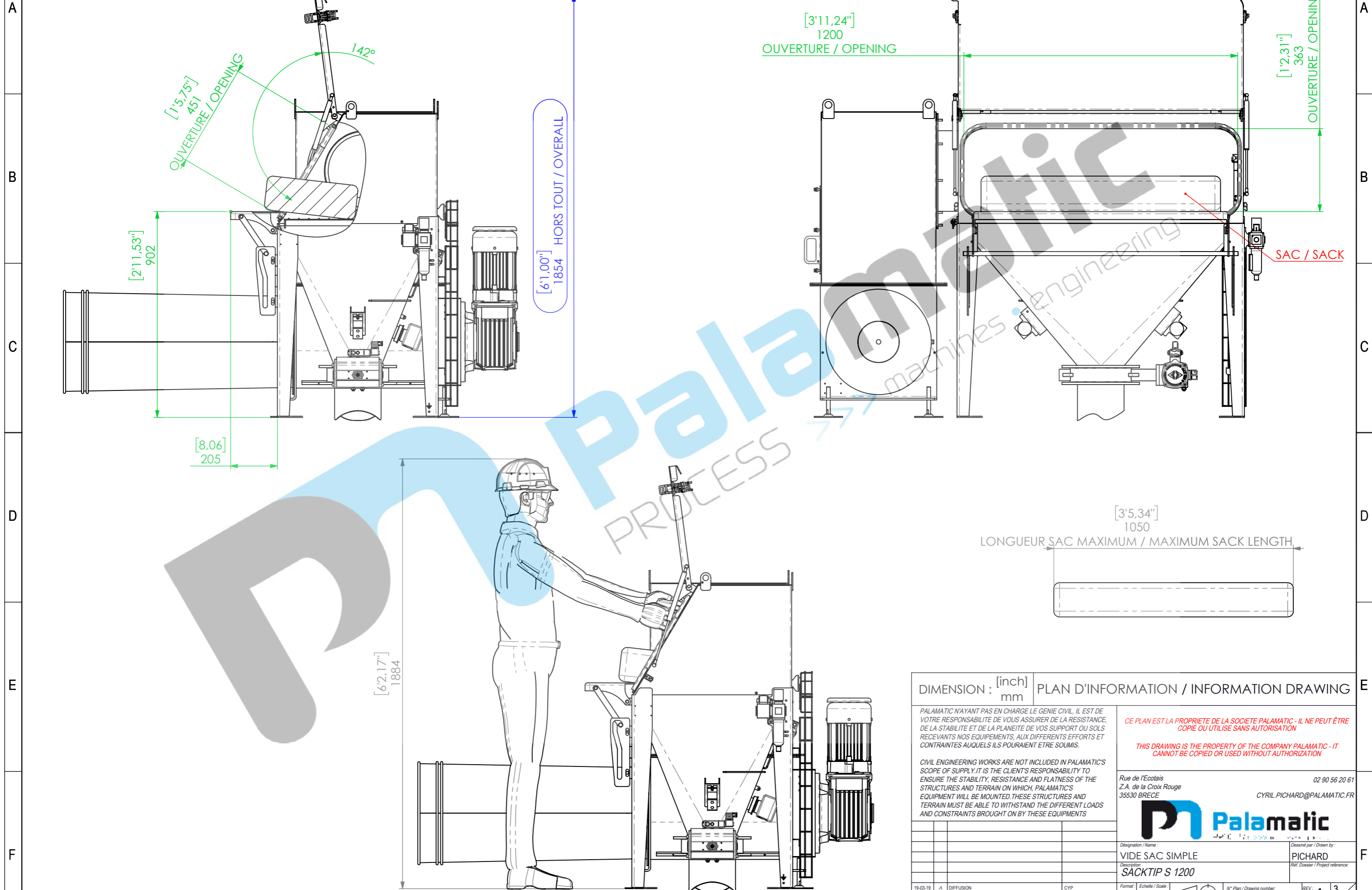
Designation / Name : VIDE SAC SIMPLE		Dessiné par / Drawn by : PICHARD	
Description : SACKTIP S 1200		Ref. Dossier / Project reference:	
19-03-19	A	DIFFUSION	CYP
DATE	REV	OBSERVATION	REVISER / REVISER
Format : Echelle / Scale : A3 1:15		N° Plan / Drawing number: REV: A 1/3	

# SACKTIP FERME / CLOSED



DIMENSION : [inch] mm		PLAN D'INFORMATION / INFORMATION DRAWING	
<p>PALAMATIC N'AYANT PAS EN CHARGE LE GENIE CIVIL, IL EST DE VOTRE RESPONSABILITE DE VOUS ASSURER DE LA RESISTANCE, DE LA STABILITE ET DE LA PLANEITE DE VOS SUPPORT OU SOLS RECEVANTS NOS EQUIPEMENTS, AUX DIFFERENTS EFFORTS ET CONTRAINTES AUQUELS ILS POURAIENT ETRE SOUMIS.</p> <p>CIVIL ENGINEERING WORKS ARE NOT INCLUDED IN PALAMATIC'S SCOPE OF SUPPLY. IT IS THE CLIENT'S RESPONSABILITY TO ENSURE THE STABILITY, RESISTANCE AND FLATNESS OF THE STRUCTURES AND TERRAIN ON WHICH, PALAMATIC'S EQUIPMENT WILL BE MOUNTED. THESE STRUCTURES AND TERRAIN MUST BE ABLE TO WITHSTAND THE DIFFERENT LOADS AND CONSTRAINTS BROUGHT ON BY THESE EQUIPMENTS</p>		<p>CE PLAN EST LA PROPRIETE DE LA SOCIETE PALAMATIC - IL NE PEUT ETRE COPIE OU UTILISE SANS AUTORISATION</p> <p>THIS DRAWING IS THE PROPERTY OF THE COMPANY PALAMATIC - IT CANNOT BE COPIED OR USED WITHOUT AUTHORIZATION</p>	
<p>Rue de l'Ecotais Z.A. de la Croix Rouge 35530 BRECE</p>		<p>02 90 56 20 61 CYP CYRIL.PICHARD@PALAMATIC.FR</p>	
<p>Designation / Name : VIDE SAC SIMPLE</p>		<p>Dessiné par / Drawn by : PICHARD</p>	
<p>Description : SACKTIP S 1200</p>		<p>Ref. Dossier / Project reference:</p>	
19-03-19	A	DIFFUSION	CYP
DATE	REV	OBSERVATION	REVISUR / REVISER
Format : A3		Echelle / Scale : 1:15	
N° Plan / Drawing number :		REV: A 2 / 3	

**SACKTIP OUVERTE / OPEN**



DIMENSION : [inch] mm		PLAN D'INFORMATION / INFORMATION DRAWING	
<p>PALAMATIC N'AYANT PAS EN CHARGE LE GENIE CIVIL, IL EST DE VOTRE RESPONSABILITE DE VOUS ASSURER DE LA RESISTANCE, DE LA STABILITE ET DE LA PLANEITE DE VOS SUPPORT OU SOLS RECEVANTS NOS EQUIPEMENTS, AUX DIFFERENTS EFFORTS ET CONTRAINTES AUQUELS ILS POURAIENT ETRE SOUMIS.</p> <p>CIVIL ENGINEERING WORKS ARE NOT INCLUDED IN PALAMATIC'S SCOPE OF SUPPLY. IT IS THE CLIENT'S RESPONSIBILITY TO ENSURE THE STABILITY, RESISTANCE AND FLATNESS OF THE STRUCTURES AND TERRAIN ON WHICH, PALAMATIC'S EQUIPMENT WILL BE MOUNTED. THESE STRUCTURES AND TERRAIN MUST BE ABLE TO WITHSTAND THE DIFFERENT LOADS AND CONSTRAINTS BROUGHT ON BY THESE EQUIPMENTS</p>		<p>CE PLAN EST LA PROPRIETE DE LA SOCIETE PALAMATIC - IL NE PEUT ÊTRE COPIÉ OU UTILISÉ SANS AUTORISATION</p> <p>THIS DRAWING IS THE PROPERTY OF THE COMPANY PALAMATIC - IT CANNOT BE COPIED OR USED WITHOUT AUTHORIZATION</p>	
<p>Rue de l'Écolais Z.A. de la Croix Rouge 35530 BRECE</p>		<p>02 90 56 20 61 CYRIL.PICHARD@PALAMATIC.FR</p>	
<p>Designation / Name : VIDE SAC SIMPLE</p>		<p>Dessiné par / Drawn by : PICHARD</p>	
<p>Description : SACKTIP S 1200</p>		<p>Ref. Dossier / Project reference:</p>	
19-03-19	A	DIFFUSION	CYP
DATE	REV	OBSERVATION	REVISER / REVISER
Format : A3		Echelle / Scale : 1:15	
N° Plan / Drawing number :		REV: A 3 / 3	