

Table de nomenclature

REP.	DESIGNATION (FR)	DESIGNATION (ENGLISH)	QTE
1	STRUCTURE	STRUCTURE	1
2	MANCHETTE FILTRANTE	FILTERING CUFF	1
3	FOURCHE AVEC ENTRAXE REGLABLE	FORK WITH ADJUSTABLE ENTRAX	2
4	TUBE DE REMPLISSAGE	FILLING TUBE	1
5	ANNEAU MULTI-DIAMETRE	MULTI-DIAMETER RING	1
6	JOINT GONFLANT	INFLATING SEAL	1
7	SUPPORT DE FOURCHES	FORKS SUPPORT	1
8	VERIN PNEUMATIQUE	PNEUMATIC CYLINDER	1
9	COFFRET PNEUMATIQUE	PNEUMATIC BOX	1

DIMENSION : [inch]
mm

PLAN D'INFORMATION / INFORMATION DRAWING

PALAMATIC N'AYANT PAS EN CHARGE LE GENIE CIVIL, IL EST DE VOTRE RESPONSABILITE DE VOUS ASSURER DE LA RESISTANCE, DE LA STABILITE ET DE LA PLANEITE DE VOS SUPPORT OU SOLS RECEVANTS NOS EQUIPEMENTS, AUX DIFFERENTS EFFORTS ET CONTRAINTES AUQUELS ILS POURAIENT ETRE SOUMIS.

CIVIL ENGINEERING WORKS ARE NOT INCLUDED IN PALAMATIC'S SCOPE OF SUPPLY. IT IS THE CLIENT'S RESPONSIBILITY TO ENSURE THE STABILITY, RESISTANCE AND FLATNESS OF THE STRUCTURES AND TERRAIN ON WHICH, PALAMATIC'S EQUIPMENT WILL BE MOUNTED. THESE STRUCTURES AND TERRAIN MUST BE ABLE TO WITHSTAND THE DIFFERENT LOADS AND CONSTRAINTS BROUGHT ON BY THESE EQUIPMENTS

CE PLAN EST LA PROPRIETE DE LA SOCIETE PALAMATIC - IL NE PEUT ETRE COPIE OU UTILISE SANS AUTORISATION

THIS DRAWING IS THE PROPERTY OF THE COMPANY PALAMATIC - IT CANNOT BE COPIED OR USED WITHOUT AUTHORIZATION

Rue de l'Écolais 02 90 56 20 61
Z.A. de la Croix Rouge
35530 BRECE
CYRIL.PICHARD@PALAMATIC.FR

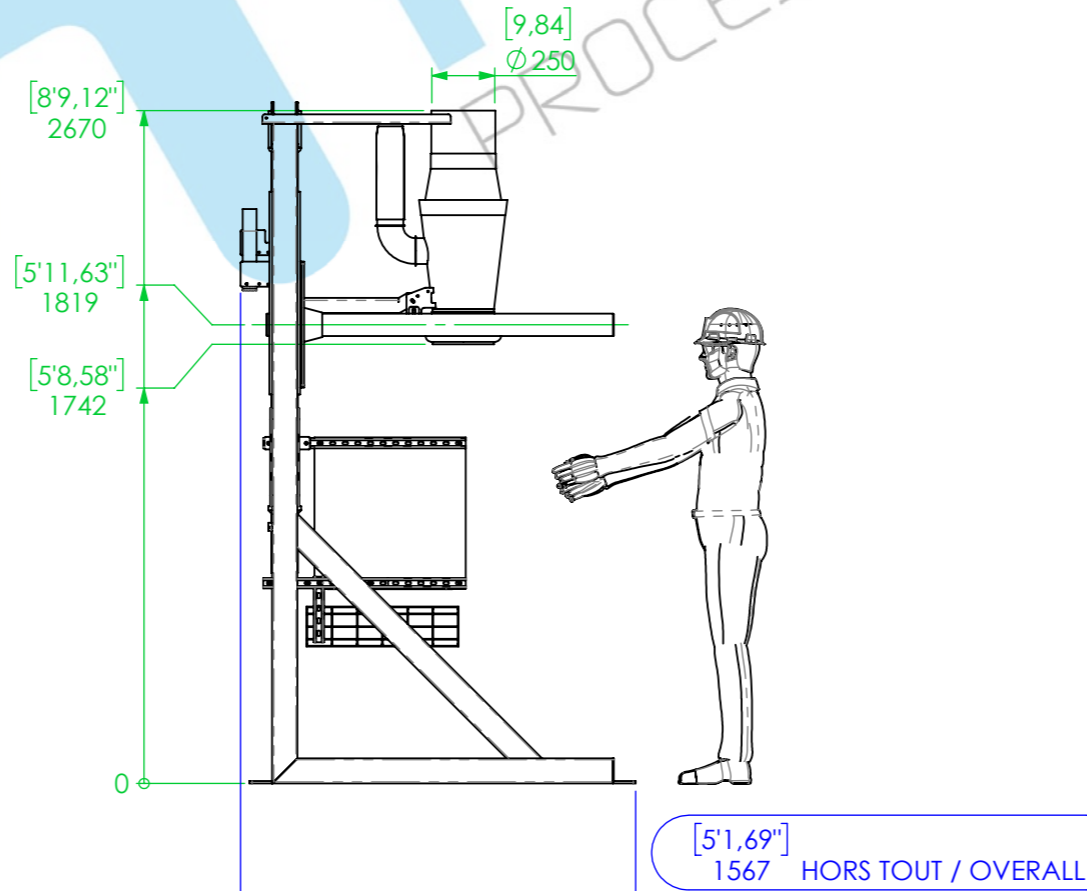
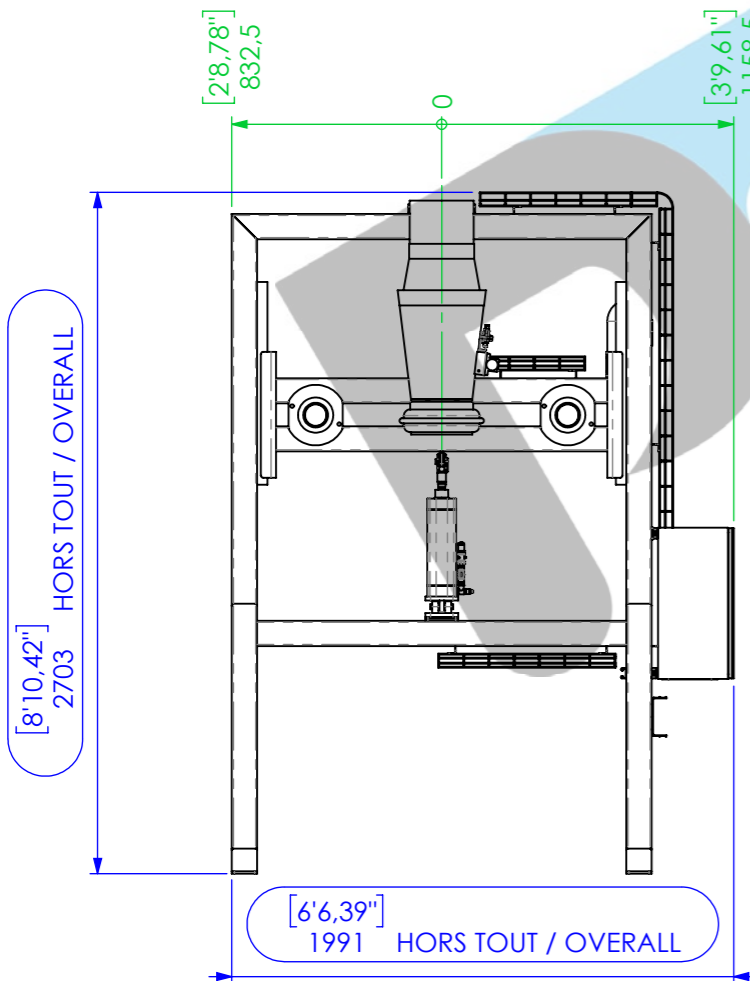
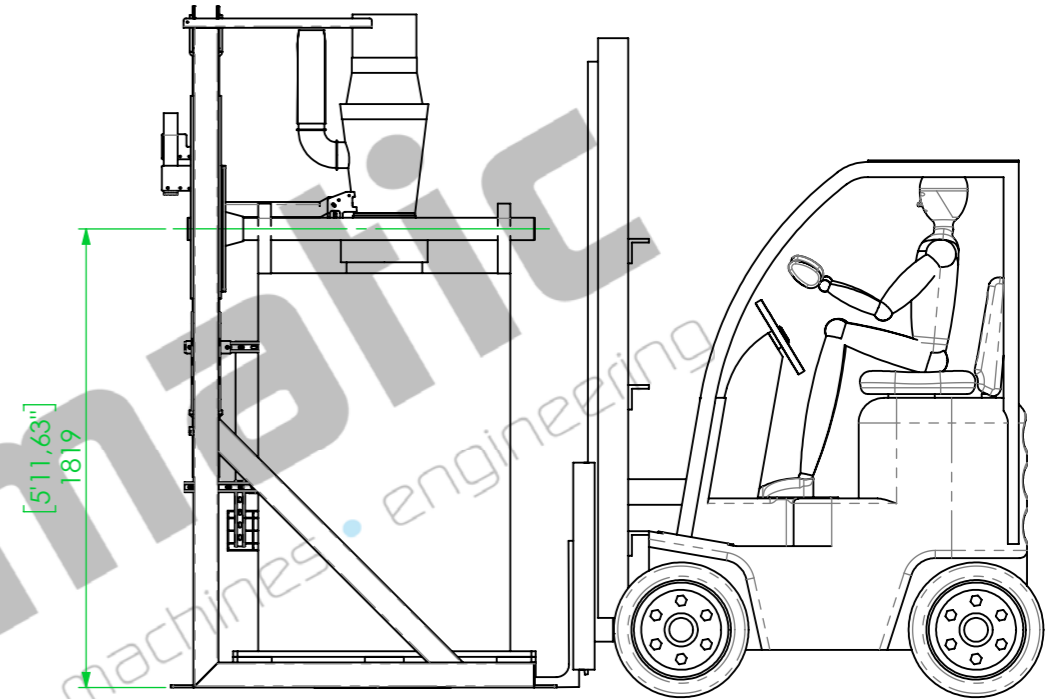
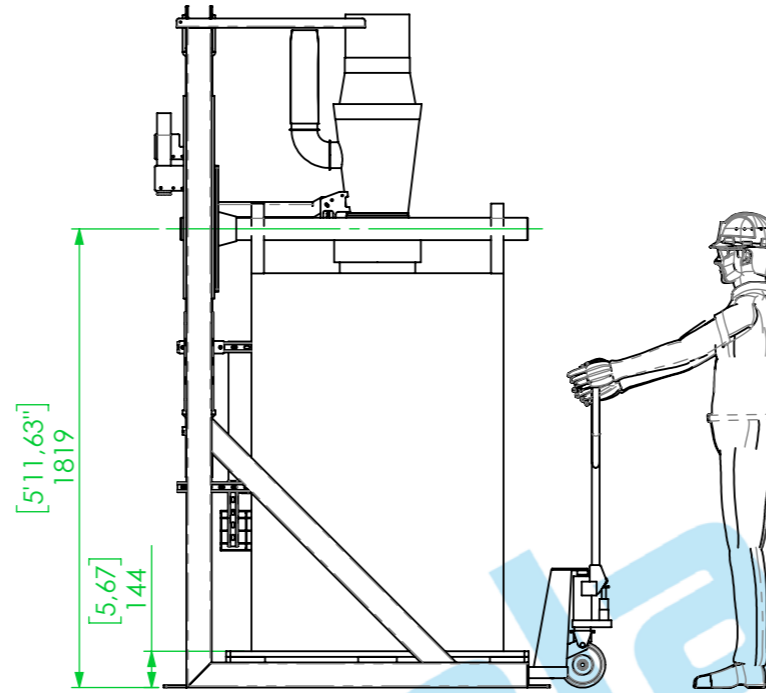
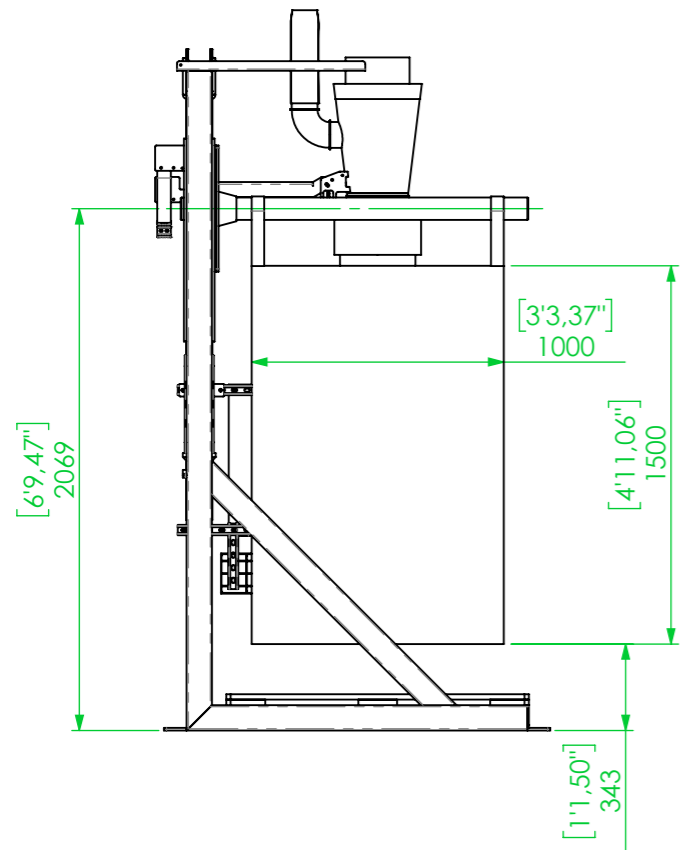


Designation / Name : REMPLISSAGE BIG BAG
Description : FLOWMATIC 02
Dessiné par / Drawn by : PICHARD
Ref. Dossier / Project reference :

28-03-19 A DIFFUSION CYP
DATE REV OBSERVATION REVISION / REVISER
Format / Echelle / Scale : A3 1:20
N° Plan / Drawing number :
REV: A 1/2

REPLISSAGE BIG BAG / BIG BAG FILLING:

DECHARGEMENTE BIG BAG / BIG BAG UNLAODING:



DIMENSION : [inch] mm		PLAN D'INFORMATION / INFORMATION DRAWING	
<p>PALAMATIC N'AYANT PAS EN CHARGE LE GENIE CIVIL, IL EST DE VOTRE RESPONSABILITE DE VOUS ASSURER DE LA RESISTANCE, DE LA STABILITE ET DE LA PLANEITE DE VOS SUPPORT OU SOLS RECEVANTS NOS EQUIPEMENTS, AUX DIFFERENTS EFFORTS ET CONTRAINTES AUQUELS ILS POURAIENT ETRE SOUMIS.</p> <p>CIVIL ENGINEERING WORKS ARE NOT INCLUDED IN PALAMATIC'S SCOPE OF SUPPLY. IT IS THE CLIENT'S RESPONSIBILITY TO ENSURE THE STABILITY, RESISTANCE AND FLATNESS OF THE STRUCTURES AND TERRAIN ON WHICH, PALAMATIC'S EQUIPMENT WILL BE MOUNTED. THESE STRUCTURES AND TERRAIN MUST BE ABLE TO WITHSTAND THE DIFFERENT LOADS AND CONSTRAINTS BROUGHT ON BY THESE EQUIPMENTS</p>		<p>CE PLAN EST LA PROPRIETE DE LA SOCIETE PALAMATIC - IL NE PEUT ÊTRE COPIÉ OU UTILISÉ SANS AUTORISATION</p> <p>THIS DRAWING IS THE PROPERTY OF THE COMPANY PALAMATIC - IT CANNOT BE COPIED OR USED WITHOUT AUTHORIZATION</p>	
<p>Rue de l'Écolais Z.A. de la Croix Rouge 35530 BRECE</p>		<p>02 90 56 20 61 CYRIL.PICHARD@PALAMATIC.FR</p>	
<p>Designation / Name : REPLISSAGE BIG BAG</p>		<p>Dessiné par / Drawn by : PICHARD</p>	
<p>Format : A3</p>		<p>Description : FLOWMATIC 02</p>	
<p>DATE : 28-03-19</p>		<p>N° Plan / Drawing number : A 2 / 2</p>	
<p>REV : A</p>		<p>Scale : 1:30</p>	
<p>OBSERVATION :</p>		<p>REVISER / REVISER : CYP</p>	